

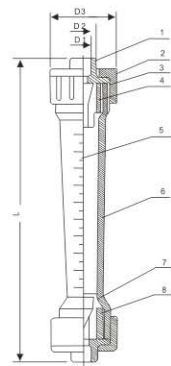
LZS-Durable Plastic Tube Type Flowmeter

LZS-Durable Plastic Tube Type Flowmeter

The LZS-Durable Plastic Tube Type Rotameter is newly developed according to market need and gained the patent, Patent No.ZL94208420.9

Construction of LZS-15~LZS-65

- 1.Joint pipe
- 2.Screw cap
- 3.O-ring
- 4.Upper Stop Plate
- 5.Scale
- 6.Taper Tube
- 7.Float
- 8.lower Stop Plate

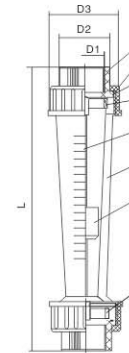


LZS-Durable Plastic Tube Type Flowmeter

LZS-Durable Plastic Tube Type Flowmeter

Construction of LZS-15~LZS-65

- 1.Joint pipe
- 2.Screw cap
- 3.O-ring
- 4.Upper Stop Plate
- 5.Scale
- 6.Taper Tube
- 7.Float
- 8.lower Stop Plate



Technical Parameters of LZS Series Flow Meter(Glue)

Model	Diameter (DN)mm	Range		Accuracy	Conditions		Size (mm)								Suit pipe DN(mm)
		Long Tube Type	Short Tube Type		°C Temperature	Mpa Pressure	Long Tube Type				Short Tube Type				
LZS-15	15	10-100l/h 16-160l/h 25-250l/h 40-400l/h 60-600l/h	5-50l/h 10-100l/h 16-160l/h 25-250l/h 40-400l/h 50-500l/h 60-600l/h 100-1000l/h	±4%	0-60	≤0.6	L	D1	D2	D3	L	D1	D2	D3	15/20
							280	20	26	45	202	20	26	45	
LZS-20	20		60-600l/h 100-1000l/h							231	25	35	45		
LZS-25	25	100-1000l/h 160-1600l/h 250-2500l/h	4-40l/min 100-1000l/h 160-1600l/h 250-2500l/h				380	32	39	68	226	32	39	60	25/32
LZS-32	32		0.4-4m³/h 0.6-6m³/h								288	40	49.5	74	32/40
LZS-40	40	0.4-4m³/h(with leader) 0.6-6m³/h(with leader) 1-10m³/h (with leader)					430	50	63	88					40/50
LZS-50	50	0.4-4m³/h 0.6-6m³/h 1-10m³/h 1.6-16m³/h(with leader)	1-10m³/h 1.6-16m³/h				430	63	73	98	341	63	73	98	50/65
LZS-65	65		2.5-16m³/h 5-25m³/h 8-40m³/h 12-60m³/h								430	75	88	122	65/75

The material of LZS-part

Taper tube is AS. Pipe, Screw Cap, Setting, Float is of ABS. LZS-C:Long Tube Type;LZS-D:Short Tube Type

Note:Long Tube Type Without Leader,Short Tube Type With Leader

Technical Parameters of LZS Series Flow Meter(Threaded connection)

Model	Diameter (DN)mm	Range		Accuracy	Conditions		Size (mm)								Suit pipe DN(mm)
		Long Tube Type	Short Tube Type		°C Temperature	Mpa Pressure	Long Tube Type				Short Tube Type				
LZS-15	15	10-100l/h 16-160l/h 25-250l/h 40-400l/h 60-600l/h	5-50l/h 10-100l/h 16-160l/h 25-250l/h 40-400l/h 50-500l/h 60-600l/h 100-1000l/h	±4%	0-60	≤0.6	L	D1	D2	D3	L	D1	D2	D3	15
							280	1/2" BSP	26	45	202	1/2" BSP	26	45	
LZS-25	25	100-1000l/h 160-1600l/h 250-2500l/h	100-1000l/h 160-1600l/h 250-2500l/h				380	3/4" BSP	39	68	226	3/4" BSP	39	60	25
LZS-32	32		0.4-4m³/h 0.6-6m³/h								288	1" BSP	49.5	74	32
LZS-50	50	0.4-4m³/h 0.6-6m³/h 1-10m³/h 1.6-16m³/h (with leader)	1-10m³/h 1.6-16m³/h				430	1 1/2" BSP	73	98	341	1 1/2" BSP	73	98	50
LZS-65	65		2.5-16m³/h 5-25m³/h 8-40m³/h 12-60m³/h								430	2" BSP	88	122	65

Note:Long Tube Type Without Leader,Short Tube Type With Leader

LZS-Durable Plastic Tube Type Flowmeter

LZS-Series

The LZS-Durable Plastic Tube Type Rotameter is newly developed according to market need and gained the patent.
 Patent No:ZL94208420.9



Technical Parameters of LZS Series Flow Meter(Flange Connection)

Model	Diameter (DN)mm	Range		Accuracy	Conditions		Size (mm)				Suit pipe DN(mm)				
		Long Tube Type	Short Tube Type		°C Temperature	Mpa Pressure	Long Tube Type		Short Tube Type						
LZS-15	15	10-100/h 16-160/h 25-250/h 40-400/h 60-600/h	5-50/h 10-100/h 16-160/h 25-250/h 40-400/h 60-600/h	±4%	0-60	≤0.6	L	D1	D2	D3	L	D1	D2	D3	15
							320	14	65	95	241	14	65	95	
							470	14	75	105	241	14	75	105	
LZS-20	15	100-1000/h 160-1600/h 250-2500/h	100-1000/h 160-1600/h 250-2500/h	±4%	0-60	≤0.6	320	14	75	105	241	14	75	105	20
							470	16	85	115	281	16	85	115	
LZS-25	25	100-1000/h 160-1600/h 250-2500/h	100-1000/h 160-1600/h 250-2500/h	±4%	0-60	≤0.6	432	16	85	115	281	16	85	115	25
LZS-32	32	0.4-4m³/h 0.6-6m³/h 1-10m³/h (with leader)	0.4-4m³/h 0.6-6m³/h 1-10m³/h (with leader)	±4%	0-60	≤0.6	570	18	110	150	500	18	110	150	40
LZS-40	40	0.4-4m³/h 0.6-6m³/h 1-10m³/h (with leader)	0.4-4m³/h 0.6-6m³/h 1-10m³/h (with leader)	±4%	0-60	≤0.6	520	18	125	165	430	18	125	165	50
LZS-50	50	0.4-4m³/h 0.6-6m³/h 1-10m³/h 1.6-16m³/h	0.4-4m³/h 0.6-6m³/h 1-10m³/h 1.6-16m³/h	±4%	0-60	≤0.6	570	18	125	165	430	18	125	165	50
LZS-65	65	with leader	2.5-16m³/h 5-25m³/h 8-40m³/h 12-60m³/h	±4%	0-60	≤0.6	530	18	145	185	530	18	145	185	65
LZS-80	65	with leader	2.5-16m³/h 5-25m³/h 8-40m³/h 12-60m³/h	±4%	0-60	≤0.6	540	18	160	200	540	18	160	200	80
LZS-100	100	14-90m³/h 18-120m³/h 20-150m³/h 25-180m³/h 25-200m³/h	14-90m³/h 18-120m³/h 20-150m³/h 25-180m³/h 25-200m³/h	±4%	0-60	≤0.6	550	18	180	215	510	18	180	215	100
LZS-125	125	14-90m³/h 18-120m³/h 20-150m³/h 25-180m³/h 25-200m³/h	14-90m³/h 18-120m³/h 20-150m³/h 25-180m³/h 25-200m³/h	±4%	0-60	≤0.6	550	18	210	250	510	18	210	250	125
LZS-150	150	14-90m³/h 18-120m³/h 20-150m³/h 25-180m³/h 25-200m³/h	14-90m³/h 18-120m³/h 20-150m³/h 25-180m³/h 25-200m³/h	±4%	0-60	≤0.6	560	22	240	280	510	22	240	280	150

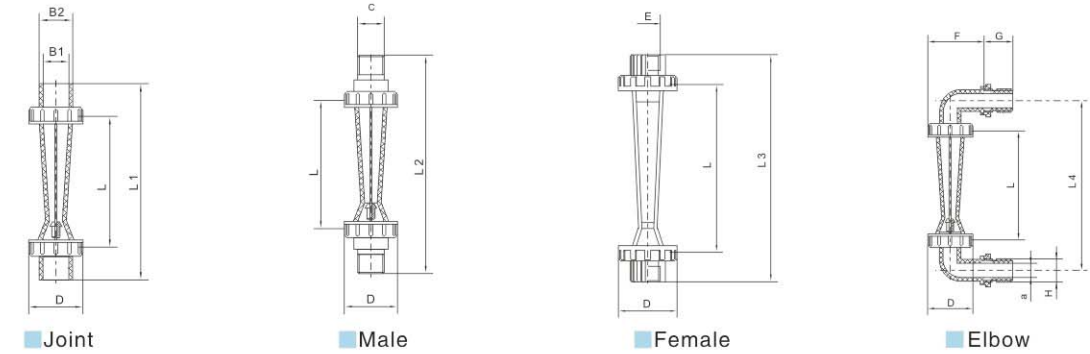
The material of LZS-part

Taper tube is AS, Pipe, Screw Cap, Setting, Float is ABS, LZS-C: Long Tube Type, LZS-D: Short Tube Type
 Note: Long Tube Type Without Leader, Short Tube Type With Leader

LZS-Durable Plastic Tube Type Flowmeter

LZS-E/G

Polysulfone (PSU) or PC body, Fittings made of PVC ABS or SS Floats Capable of withstanding higher temperatures,
 Thread joint and panel-mounted fittings are easy to install, economical and durable.



LZS-E/G Datasheet

Model	DN	Range			Accuracy	Temp °C	Pressure		
		GPM	LPM	m³/h					
LZS-15E	15	0.1-1	0.5-4	10-100/h	±4%	0-60	≤0.6MPa		
LZS-15G		0.2-2	1-7	16-160/h					
LZS-15EC		0.5-5	1.8-18	25-250/h					
LZS-15GC	15	0.1-1	0.5-4	40-400/h					
LZS-25E		0.2-2	1-7	50-500/h					
LZS-25G		0.5-5	1.8-18	60-600/h					
LZS-32E	25	0.8-8	3-30	0.25-2.5		±4%		0-60	≤0.6MPa
LZS-32G		1-10	4-40	0.16-1.6					
LZS-50E		32	1.2-12	5-50					
LZS-50G	2-20		8-80	0.6-6					
LZS-65E	50		2.5-25	10-100	0.4-4				
LZS-65G		5-45	20-180	0.6-6					
LZS-80E		65	7-70	25-250	1-10				
LZS-80G	25-250		100-1000/h	1.6-16					
LZS-100E	65		25-110	80-400	5-25				
LZS-100G		40-160	150-650	8-40					
LZS-125E		65	50-250	200-1000	12-60				



DN15-DN50

LZS-E/G Dimensions for Installation

Model	L	D	Joint			Male		Female		Elbow				
			L1	B1	B2	L2	C	L3	E	L4	F	G	A	H
LZS-15E LZS-15G	100	Φ42	150	Φ20	Φ26	170	1/2"BSP 1/2"NPT	/	/	155	52	27	Φ13	1/2"BSP 1/2"NPT
LZS-15EC LZS-15GC	160	Φ50	210	Φ20	Φ26	225	1/2"BSP 1/2"NPT	210	1/2"BSP 1/2"NPT	220	56	27	Φ13	1/2"BSP 1/2"NPT
LZS-25E LZS-25G	170	Φ59	230	Φ32	Φ39	250	3/4"NPT	225	3/4"BSP 3/4"NPT	270	70.5	28	Φ20	3/4"BSP 3/4"NPT
LZS-32E LZS-32G	225	Φ72	290	Φ40	Φ49	310	1"NPT	290	1"BSP 1"NPT	345	86	35	Φ26	1"BSP 1"NPT
LZS-50E LZS-50G	290	Φ98	375	Φ63	Φ73	400	2"NPT	370	2"NPT	440	109	40	Φ45	2"BSP 2"NPT
LZS-60E LZS-65G	325	Φ120	420	Φ75	Φ89	445	2 1/2"NPT	420	2 1/2"NPT	/	/	/	/	/